

H1-1000 7Y1W-GV ;

Detailed Description

Performance

Lamp	Number	1
	Watts	1000W
Input Volts		7V
Input Current		3. A
Input Power		104 W
Min Power Factor		0.99
THD		<10%
Crest Factor		<1.7

Physical

Case Length	228mm	8.98"
Case Width	228mm	8.98"
Height	610mm	24.02"
Weight	4.3kg	9.48lb

Protect ion s

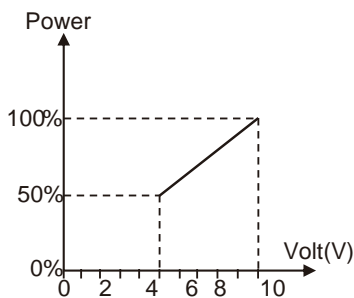
- End of Lamp Life (EOL) Protection
- Short circuit protection
- Open circuit protection
- Ignition failure protection
- Under voltage protection

Installation & Application Notes

- 1.Max allowable case temperature 75°C/167°F.
- 2.Ambient Temperature:-20...+40°C/-4...+104°F.
- 3.Ignition voltage is 5kV max.
- 4.Power must be cycled off-then on,after replacing the lamp.
- 5.Suitable for Master Controller

Dimming Type

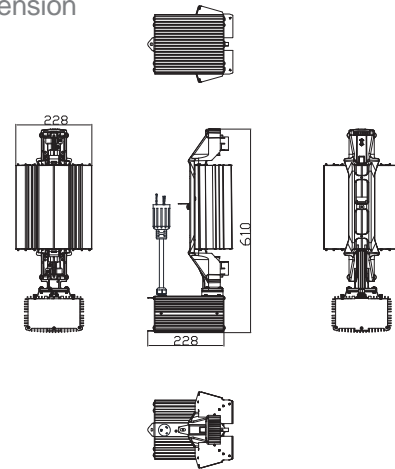
- 1.When the dimming voltage changes between 5V and 10V,the input watts chages between 50% and 100%



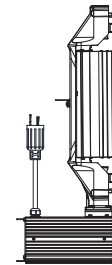
Performance Requirements:

Rated mains voltage:	7V
Voltage range	V
Mains frequency:	50/60Hz
Operation frequency:	100-120kHz

Main Dimension



Wiring Diagram



Ballast Case must be Grounded

Tcase max=75°C/167°F

